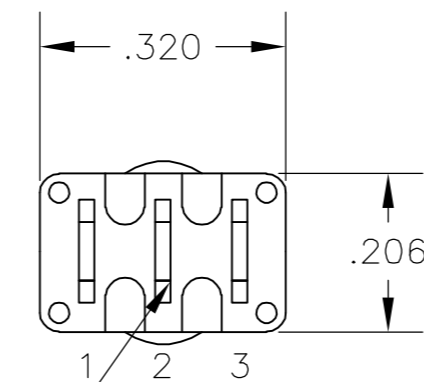
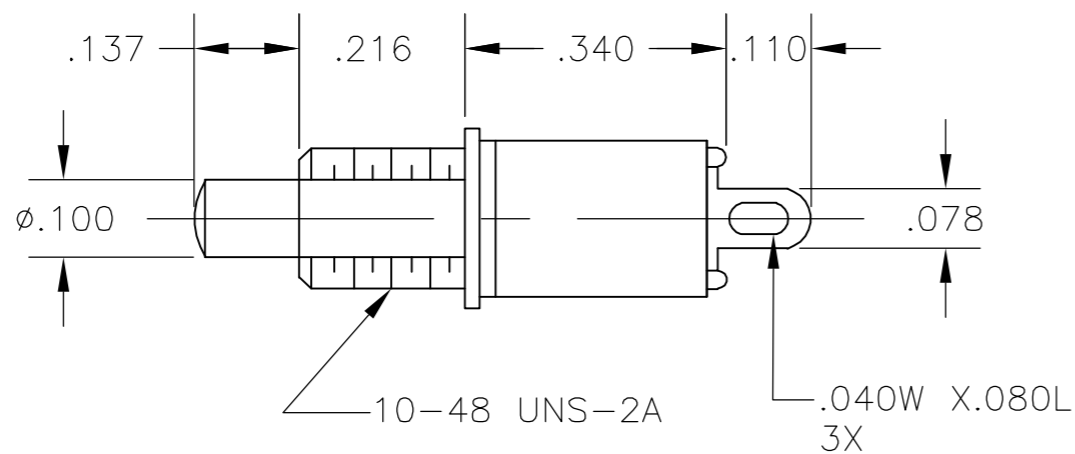
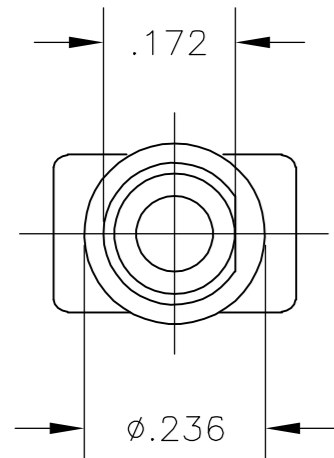


THIS DRAWING IS UNPUBLISHED. RELEASED FOR PUBLICATION
 © COPYRIGHT BY TYCO ELECTRONICS CORPORATION. ALL RIGHTS RESERVED.

| LOC | DIST | REVISIONS | | | |
|-----|------|-------------|---------------|---------|--------|
| P | LTR | DESCRIPTION | DATE | DWN | APVD |
| AD | 00 | B | ECO-06-000585 | 08AUG06 | BSV MZ |



CENTER TERMINALS NOT FURNISHED ON TPC13C*

SPECIFICATIONS

MATERIALS:

CASE: HIGH TEMPERATURE POLYESTER, UL 94V-0
 ACTUATOR BUTTON: THRMOPLASTIC, COLORS: SEE CHART BELOW.
 MOVING CONTACT: COPPER ALLOY, SILVER PLATED
 TERMINALS: COPPER ALLOY, TIN LEAD PLATED
 TERMINAL SEAL: SP EPOXY
 DP EPOXY OPTIONAL.

ELECTRICAL:

CONTACT RATING: SILVER = 1A @ 125 VAC OR 20 VDC.
 INITIAL CONTACT RESISTANCE: 20 MILLIOHMS MAX.
 INSULATION RESISTANCE: 1.000 MEGAOHMS @ 500 VDC MIN.
 DIELECTRIC STRENGTH: 1.000 VAC
 LIFE EXPECTENCY: SILVER: 1 POLE = 60.000 CYCLES
 2 POLE = 50.000 CYCLES

MECHANICAL:

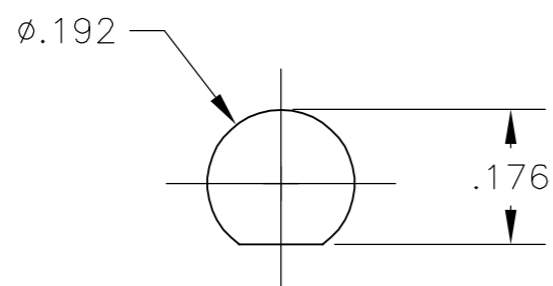
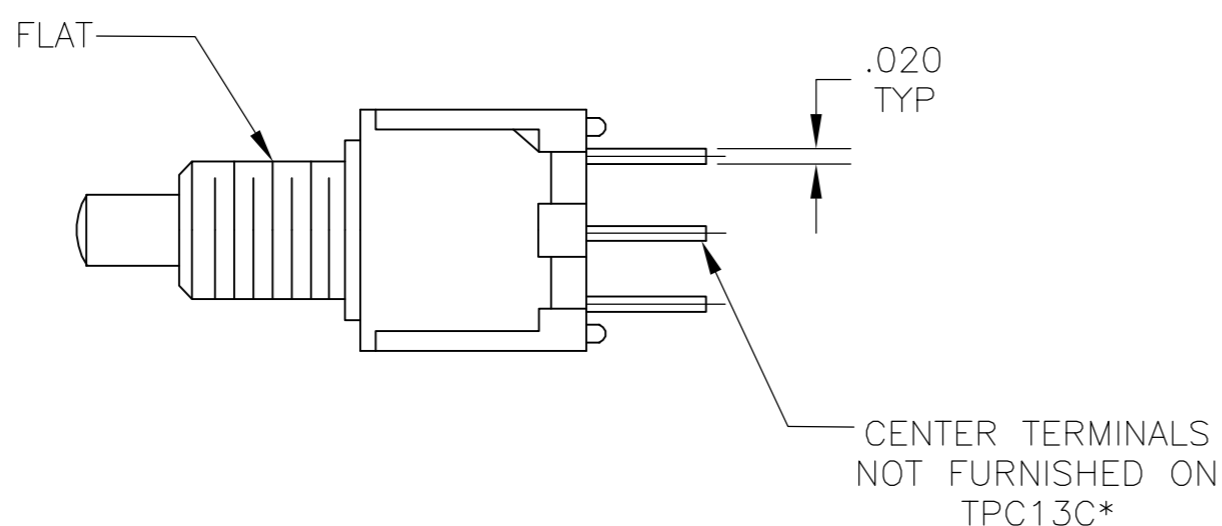
ACTUATION FORCE: 50 TO 400g.
 ACTUATION TRAVEL: .030 APPROX.

ENVIRONMENTAL:

OPENING TEMPERATURE: -22°F TO +149°F (-30°C TO +65°C).
 STORAGE TEMPERATURE: -22°F TO +149°F (-30°C TO +65°C).

NOTES:

- INTERPRET DRAWING PER ASME Y14.5M-1994
- SUPPLIED WITH MOUNTING HARDWARE



RECOMMENDED HOLE LAYOUT
 TOLERANCE ±.002 UNLESS OTHERWISE NOTED

| (*) | BUTTON COLORS |
|-----|---------------|
| (0) | BLACK |
| (2) | RED |
| (6) | BLUE |

AUGAT D/N 40013

| TERMINALS CONNECTED WITH BUTTONS IN POSITIONS SHOWN | | |
|---|--------|-------------|
| MODEL NO | | |
| TPC13C (*) | OFF | 3 TO 1(MOM) |
| TPC13F (*) | 2 TO 1 | 2 TO 3(MOM) |

NOTE:
 TERMINAL DESIGNATION NUMBERS ARE FOR REFERENCE ONLY AND DO NOT APPEAR ON SWITCHES

| | | | | |
|--|--|--------------------|---------|---|
| THIS DRAWING IS A CONTROLLED DOCUMENT. | | DWN DRM | 20MAR80 | Tyco Electronics Corporation Harrisburg, Pa 17105-3608 |
| DIMENSIONS: INCHES | | CHK C. BUCKHEIT | 21MAR80 | |
| TOLERANCES UNLESS OTHERWISE SPECIFIED: | | APVD KJ | 21MAR80 | NAME PUSHBUTTON SWITCH TPC13 SERIES |
| 0 PLC ± - 1 PLC ± - 2 PLC ± - 3 PLC ± .010 4 PLC ± - ANGLES ± - | | PRODUCT SPEC | - | |
| MATERIAL SEE SPECIFICATIONS | | FINISH | WEIGHT | SIZE |
| SEE SPECIFICATIONS | | SEE SPECIFICATIONS | - | CAGE CODE |
| CUSTOMER DRAWING | | SCALE 4:1 | | DRAWING NO |
| | | SHEET 1 OF 1 | | RESTRICTED TO |
| | | REV B | | |

2-1437572-2